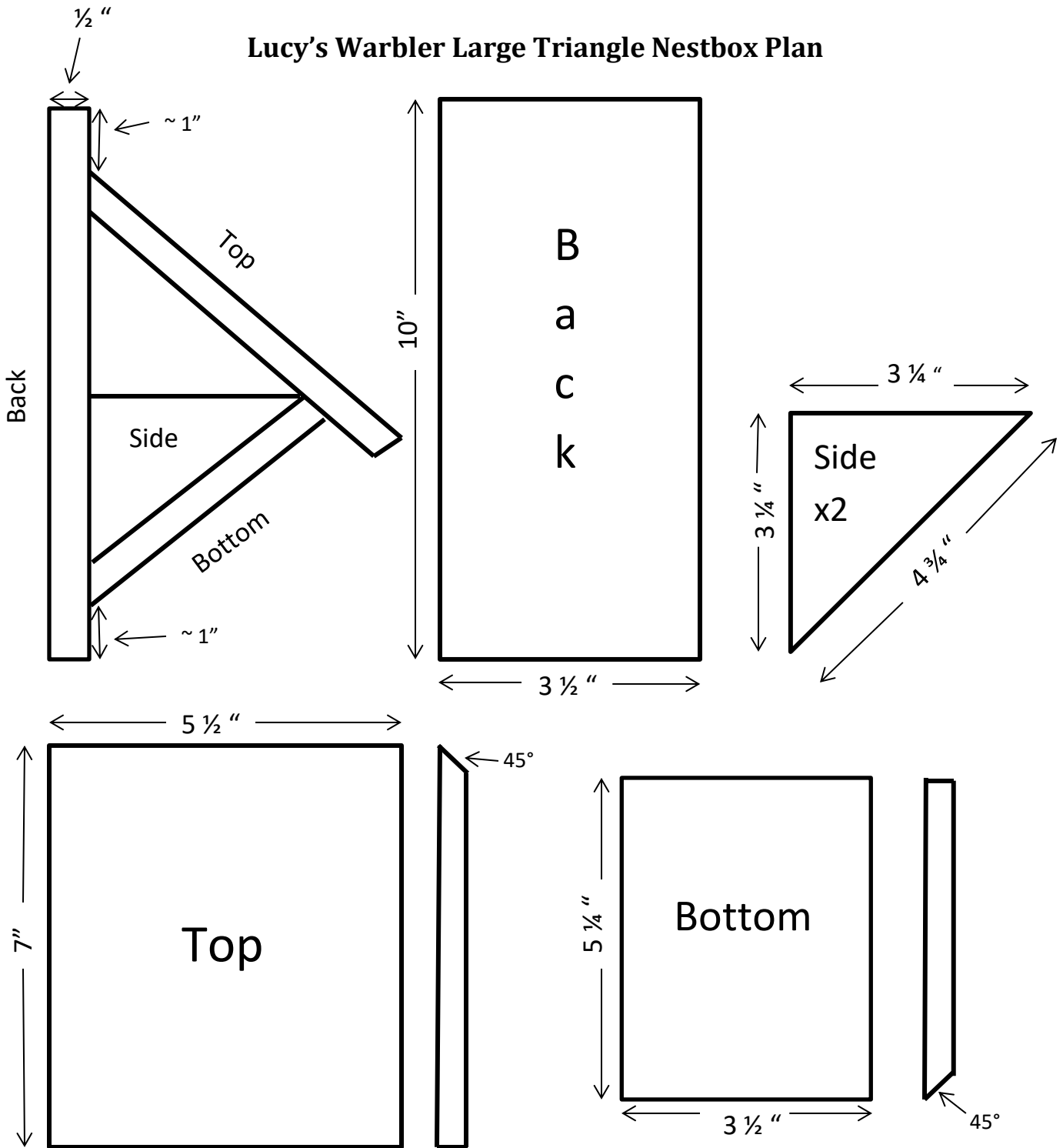


## Lucy's Warbler Large Triangle Nestbox Plan



### Materials:

Cedar Pickets

$\frac{1}{2}$ " X  $3\frac{1}{2}$ "

$\frac{1}{2}$ " X  $5\frac{1}{2}$ "

4 d nails or screws

### Notes:

All angles are 45 and 90 degrees

Use screws or if using nails or brads **please glue edges**

Leave enough room on top and bottom for easy mounting